

**First steps
with
NOVOSTABLE**



1 camera

DO IT YOURSELF installation

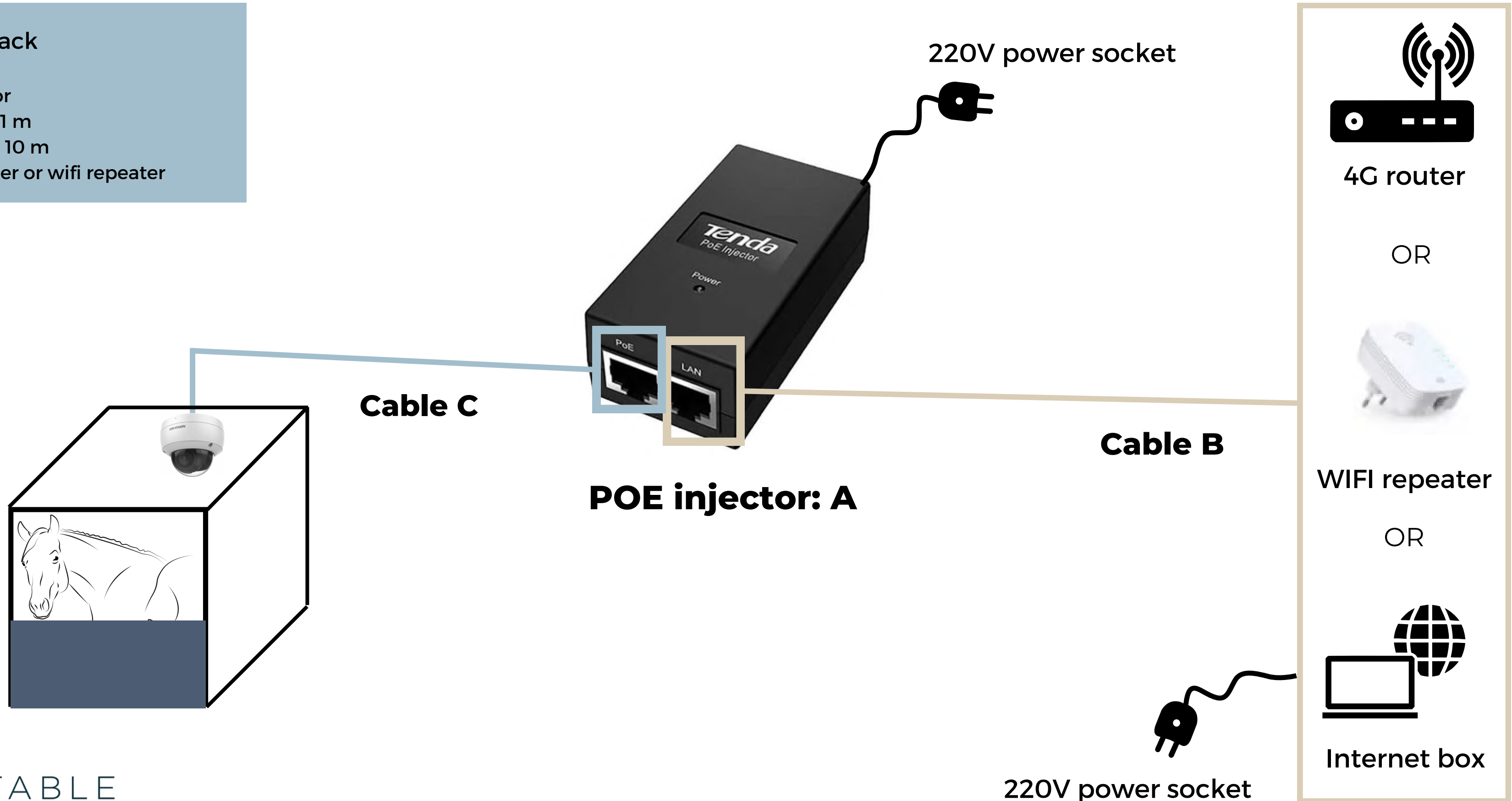
VIDEO SURVEILLANCE CAMERA INSTALLATION

Do it yourself pack

1 camera:

- A: 1 POE injector
- B: 1 rj45 cable - 1 m
- C: 1 POE cable - 10 m

+ Optional: 4G router or wifi repeater



Pack of 2 to 4 cameras

DO IT YOURSELF installation

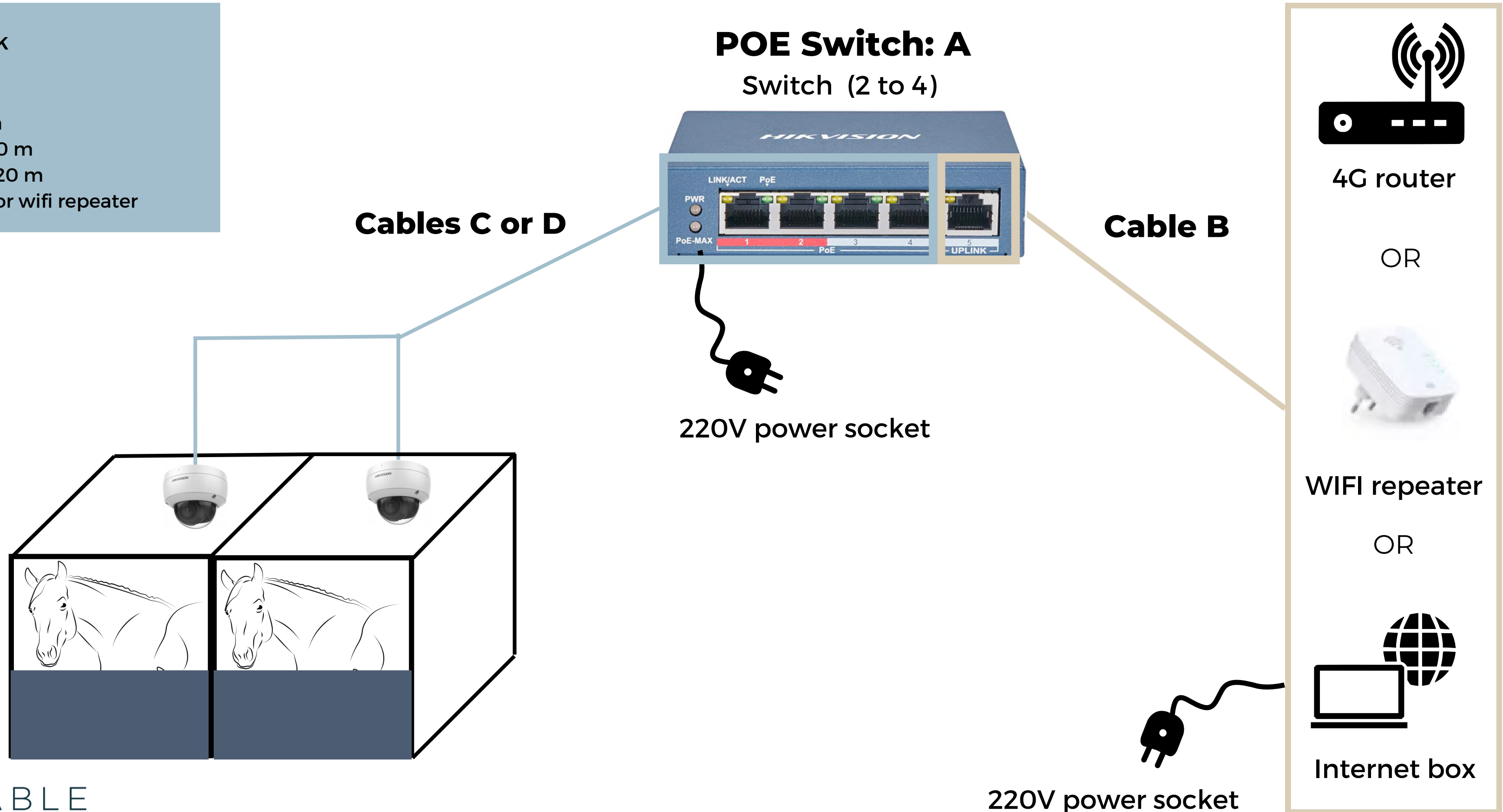
VIDEO SURVEILLANCE CAMERA INSTALLATION

Do it yourself pack

From 2 to 4 cameras:

- **A:** 1 POE switch
- **B:** 1 rj45 cable - 1 m
- **C:** 2 POE cables - 10 m
- **D:** 2 POE cables - 20 m

+ Optional: 4G router or wifi repeater



INSTALLATION OF THE CAMERA IN THE BOX



WHERE:

2 possible positions:

1. [Recommended] On the ceiling centred on one of the 4 sides or in a corner (ceiling height: 2.50m to 4m)
2. Centred on a wall more than 2.50m high

HOW :

- Follow the installation diagram in the Hikvision camera manual and the videos sent by email

IMPORTANT: The cameras are already activated in our premises, ignore the activation step.

IMPERATIVES :

- Make sure the connectors are watertight
- Cover unused cables with electrician's tape

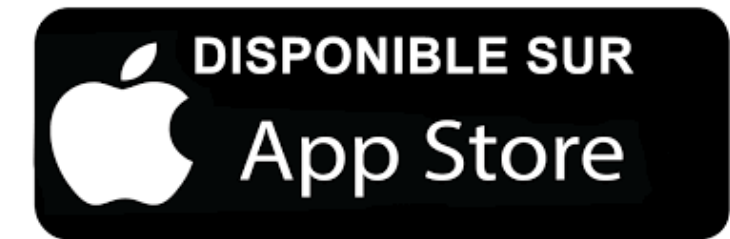
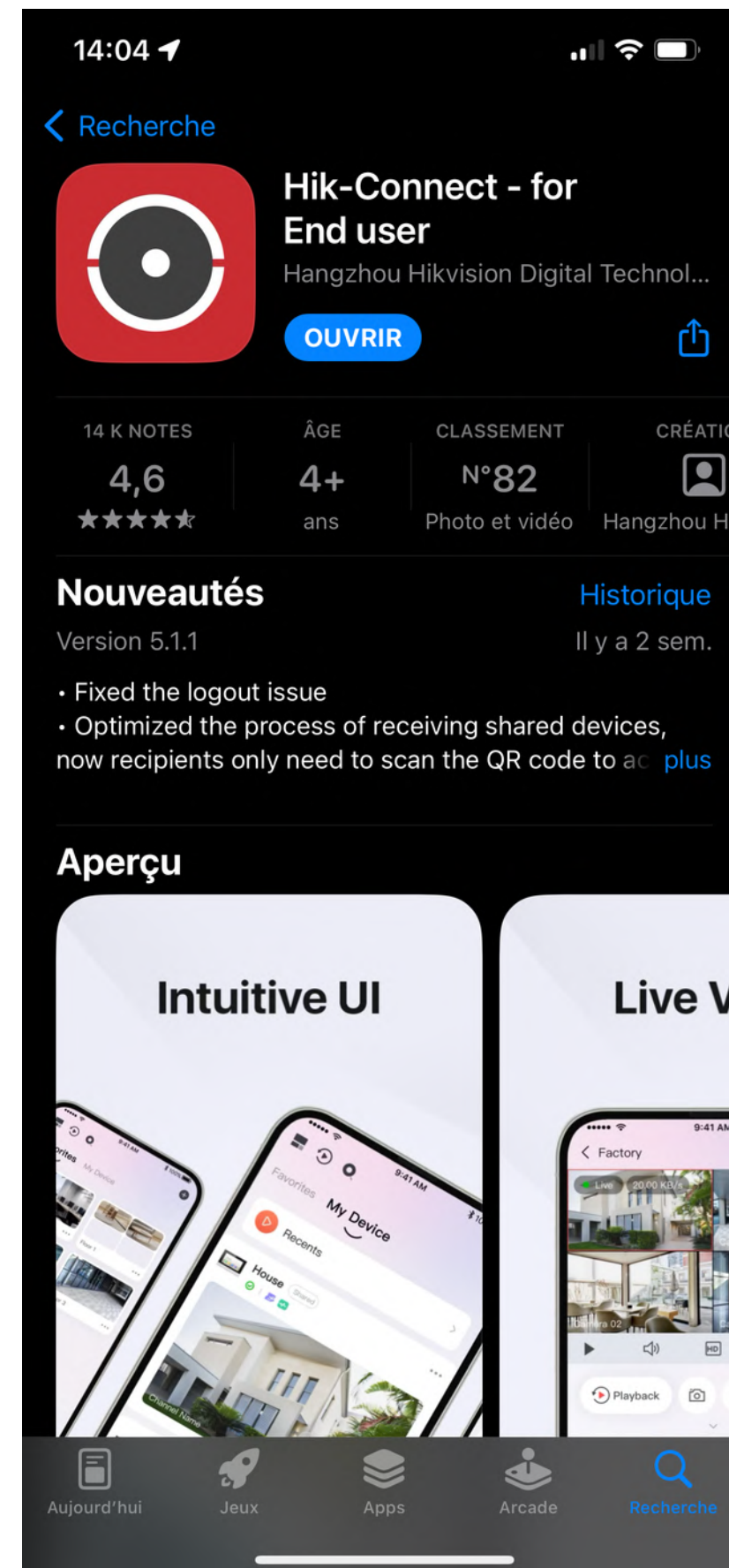
TIPS:

- Point the Hikvision logo towards the ground when the camera is fixed to a wall

HIKVISION CAMERA ACCESS (1/4)

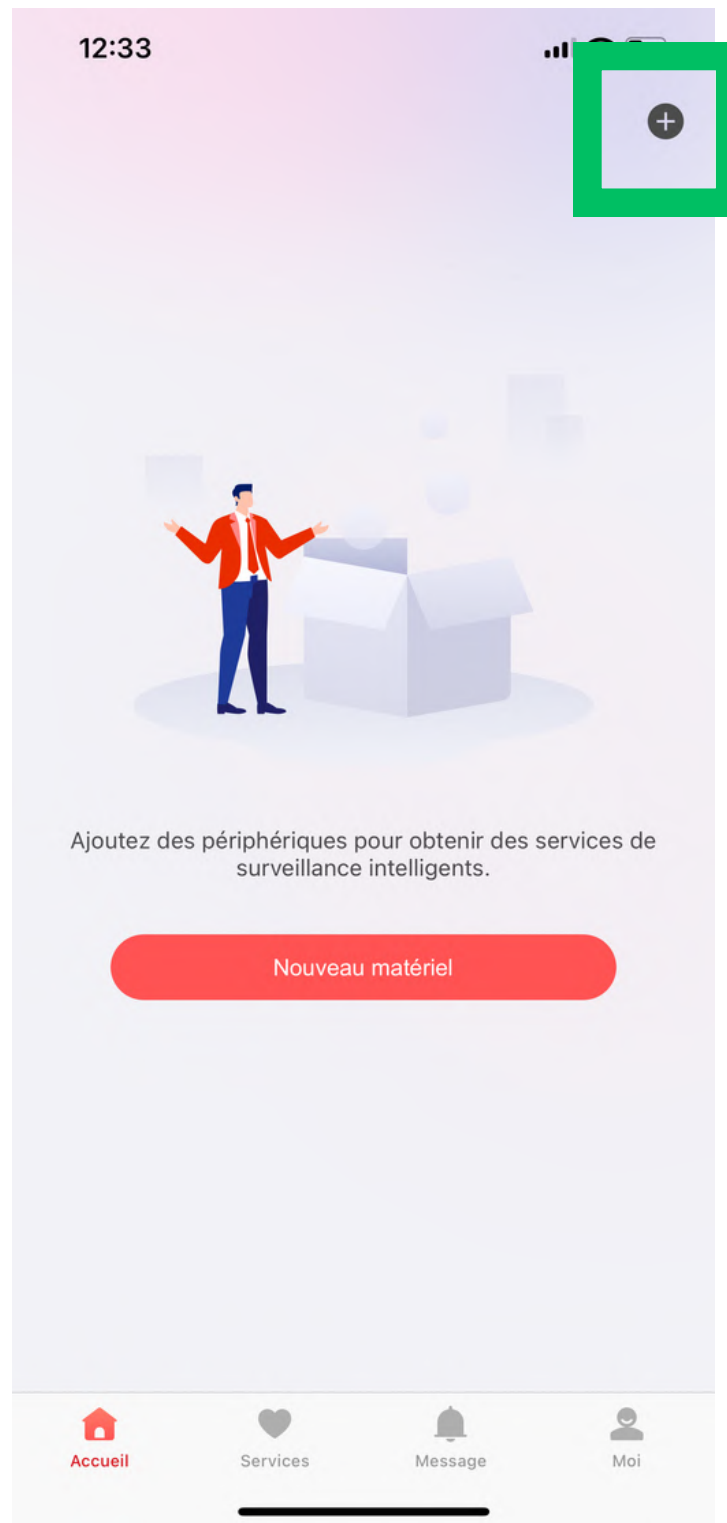
1. Download the **Hik-Connect** application

2. Creating an account

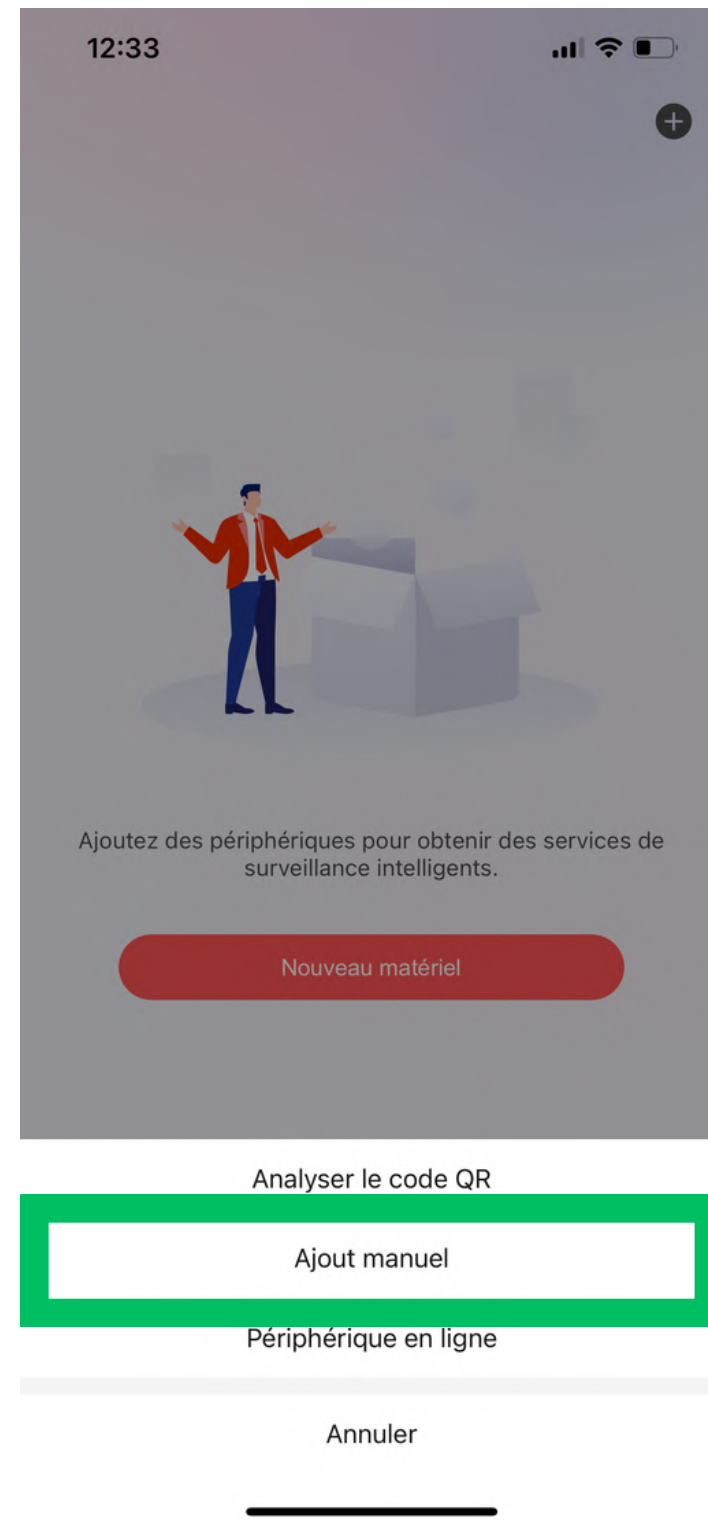


HIKVISION CAMERA ACCESS (2/4)

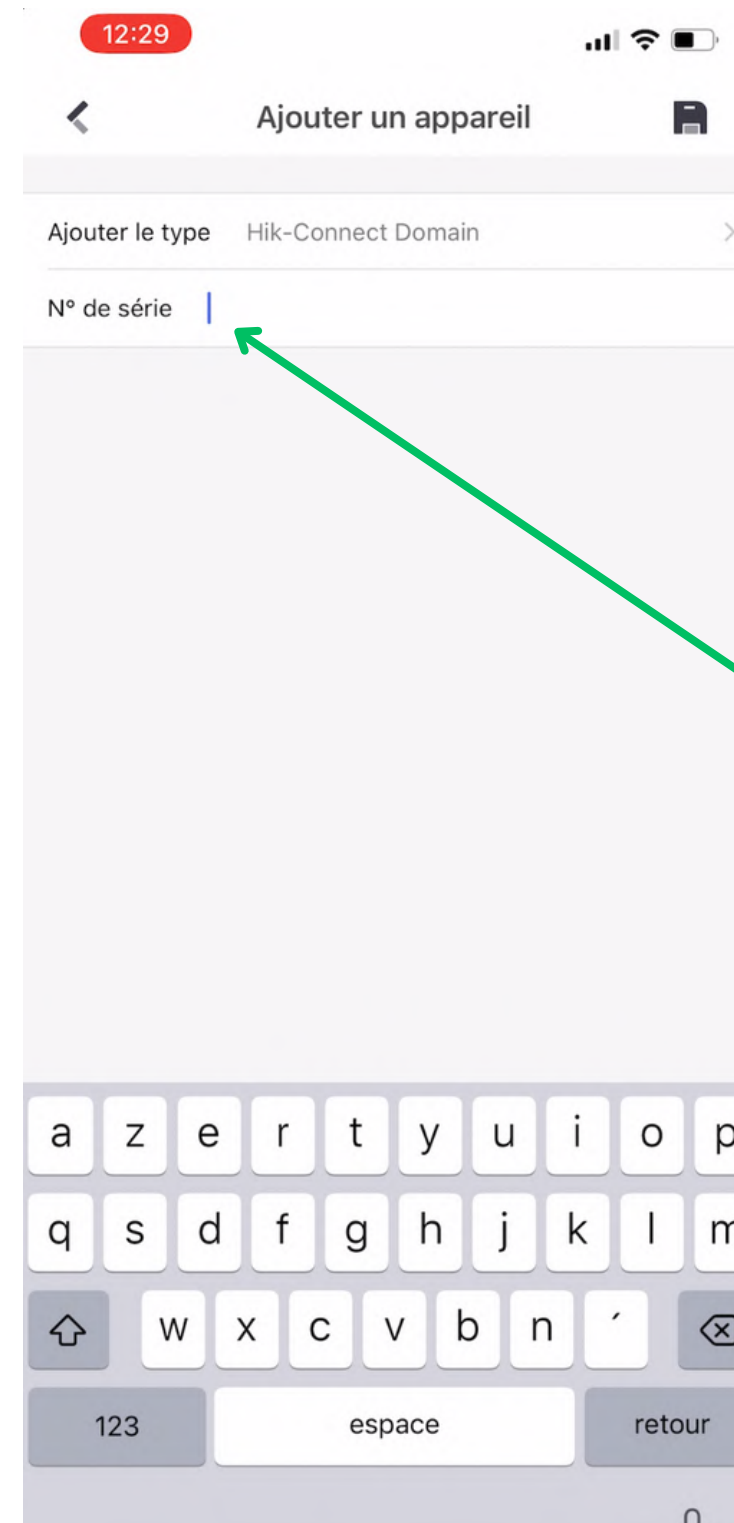
3. Add a device



3.1



3.2



3.3

WHERE TO FIND THE SERIAL NUMBER?



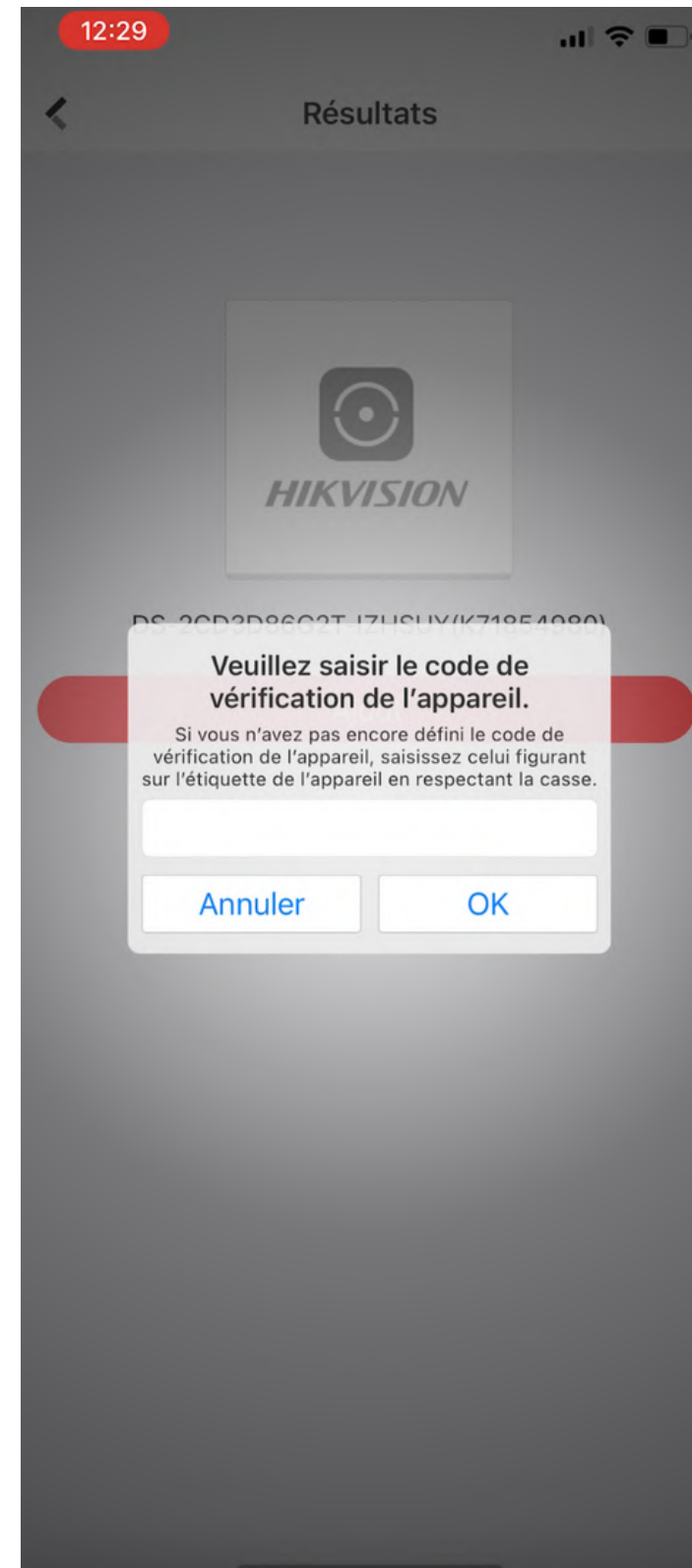
On the outside of the box, the SN code corresponds to the serial number.

HIKVISION CAMERA ACCESS (3/4)

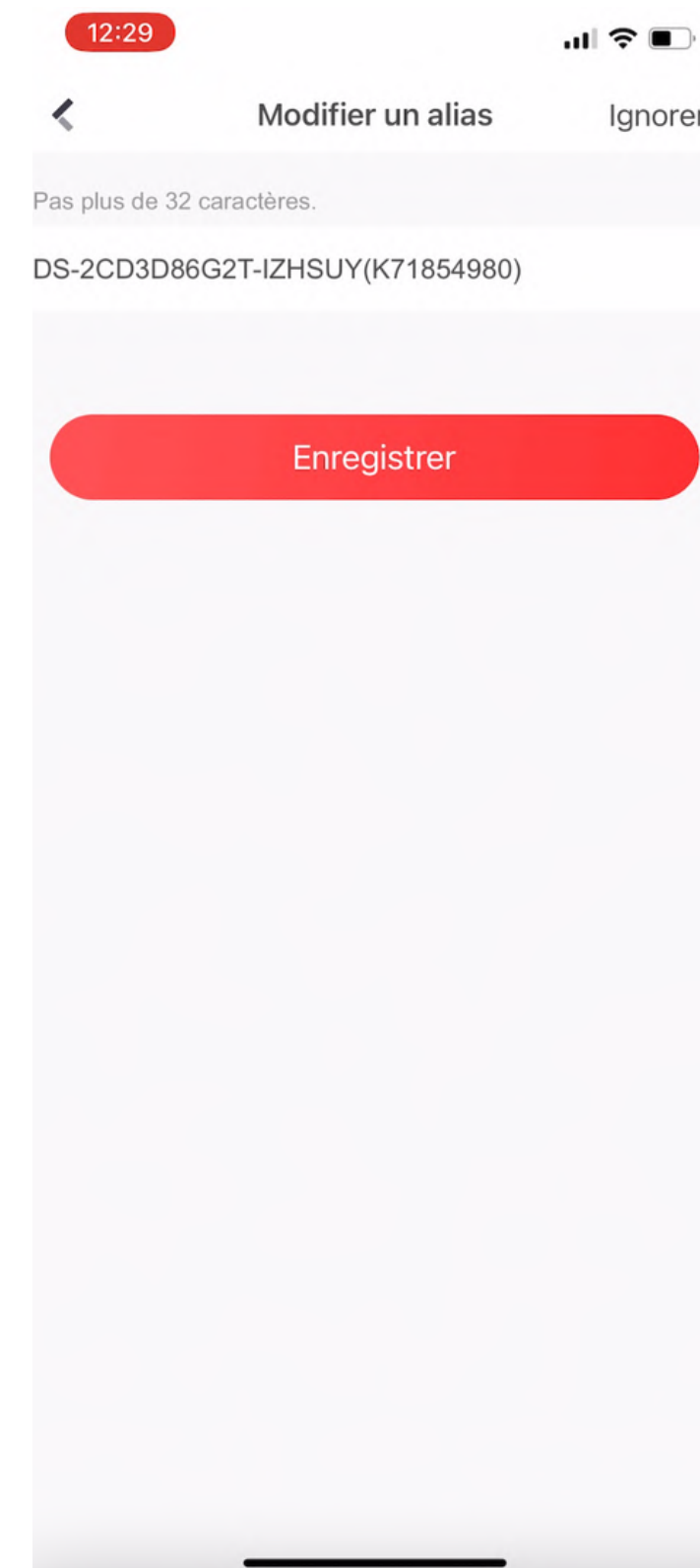
4. Enter the verification code that will have been sent to you by email

5. You have the possibility to change the name of the camera

6. IGNORE the "Installer Authorization" step



4



5



6

HIKVISION CAMERA ACCESS (4/4)

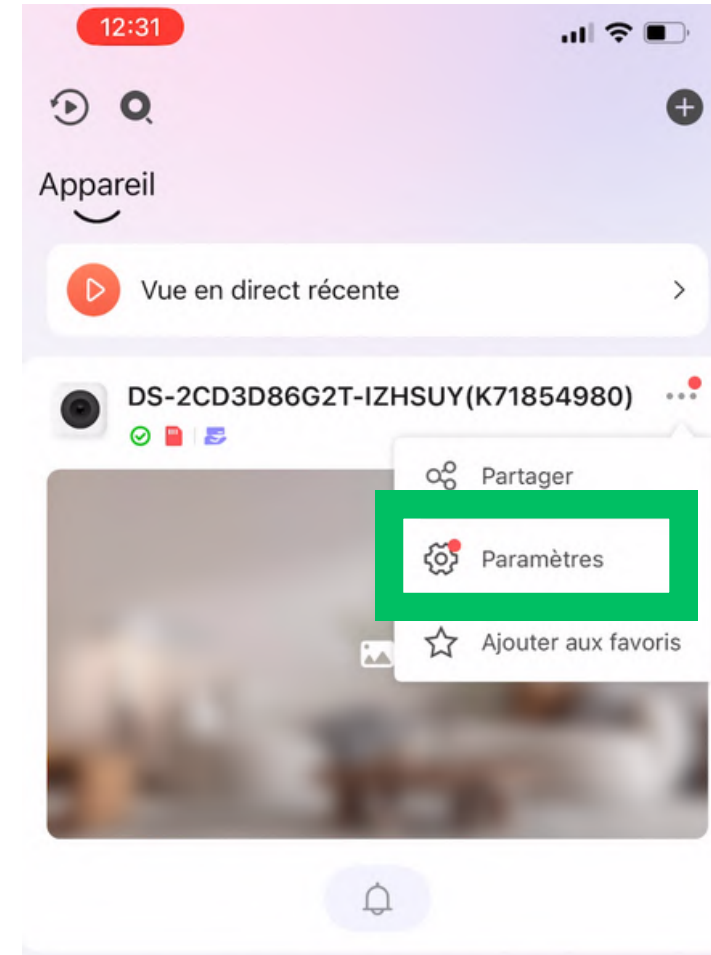
6. Go to the settings

7. Select "Authorisation Service".

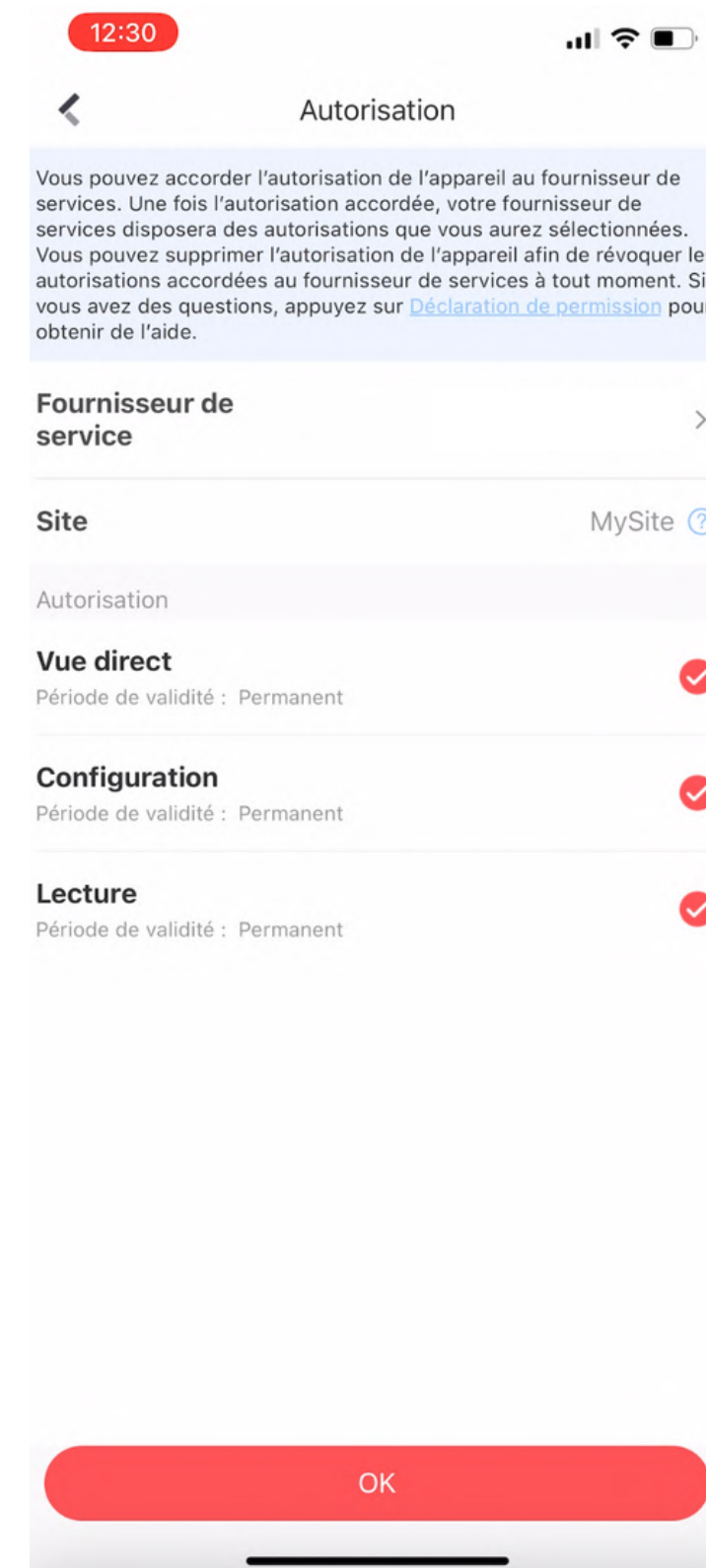
8. Go to "Service Provider".

9. Add a service provider

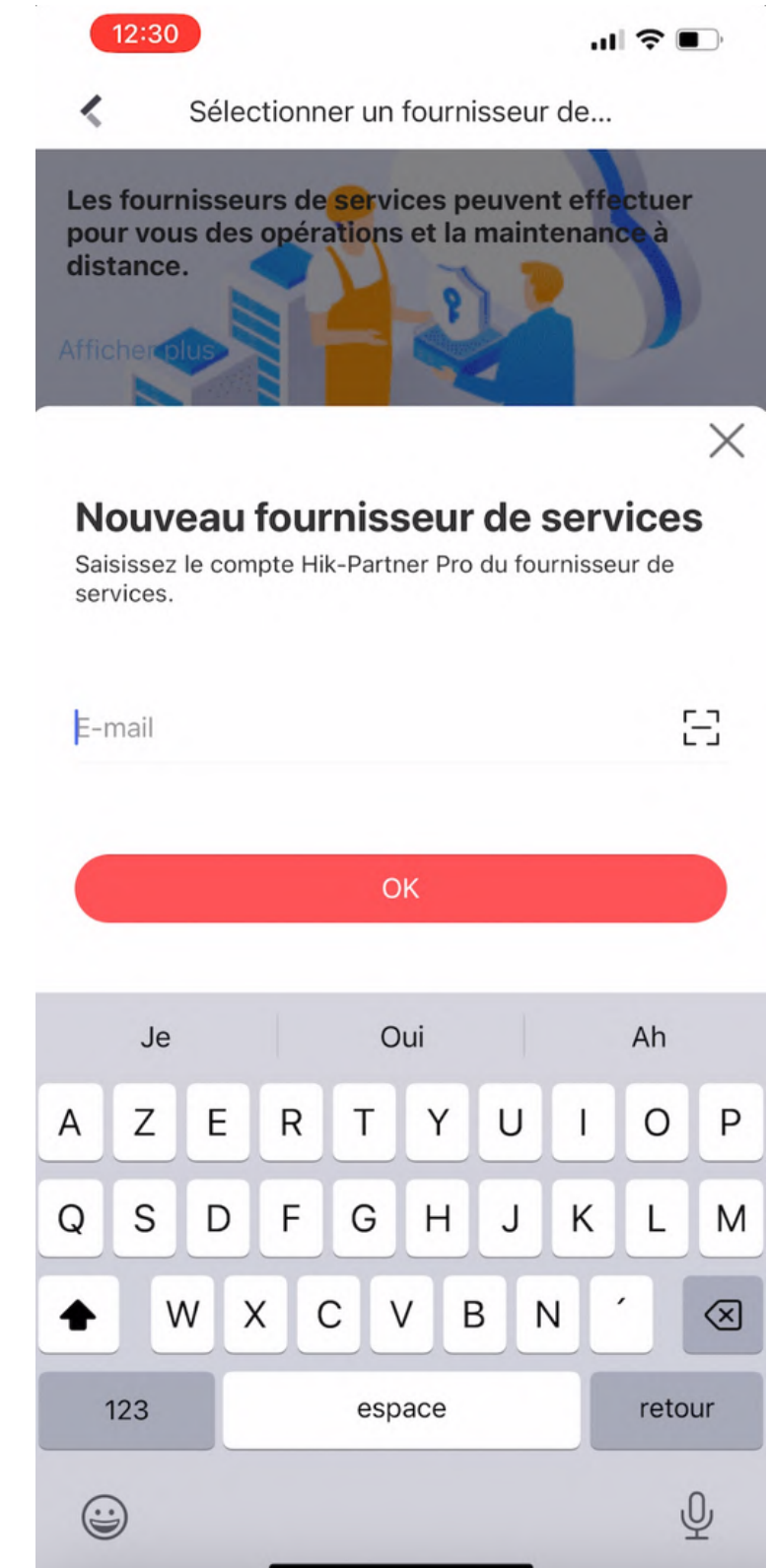
10. Fill in this email:
support@novostable.com



6



8

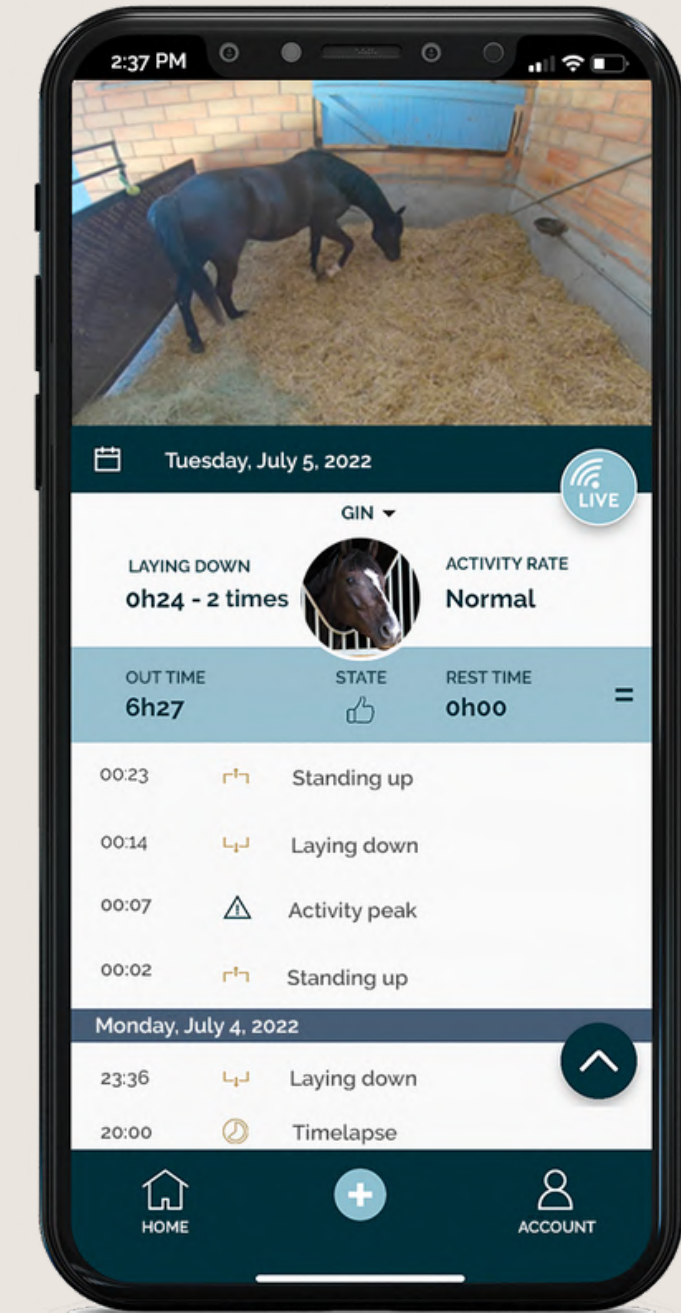


10

COMMISSIONING OF THE NOVOSTABLE SOLUTION

1. Download the **NOVOSTABLE** application
2. Create an account (WARNING, it is imperative to fill in the **same** email as the one communicated to NOVOSTABLE)
3. Create a first horse: Account > My horses > Add a new horse
 - a. Select the use
 - b. Select a camera
(as a reminder, the serial number is on the box)
4. Start calibration of the artificial intelligence
5. We will confirm within 7 to 15 days the complete configuration of the solution.

NB: Following a foaling and when a new mare arrives in the box, it is imperative to create a new horse in the application and not to rename the old mare. The horse creation step allows to start learning the behaviour of the new horse.



NOVOSTABLE

CARE FOR HORSES

www.novostable.com